

5022 SD *New*

IrriStand Systems

Plastic impact sprinkler, 1/2" male or 3/4" female

Applications: irrigation and germination of vegetables, flowers and nursery crops

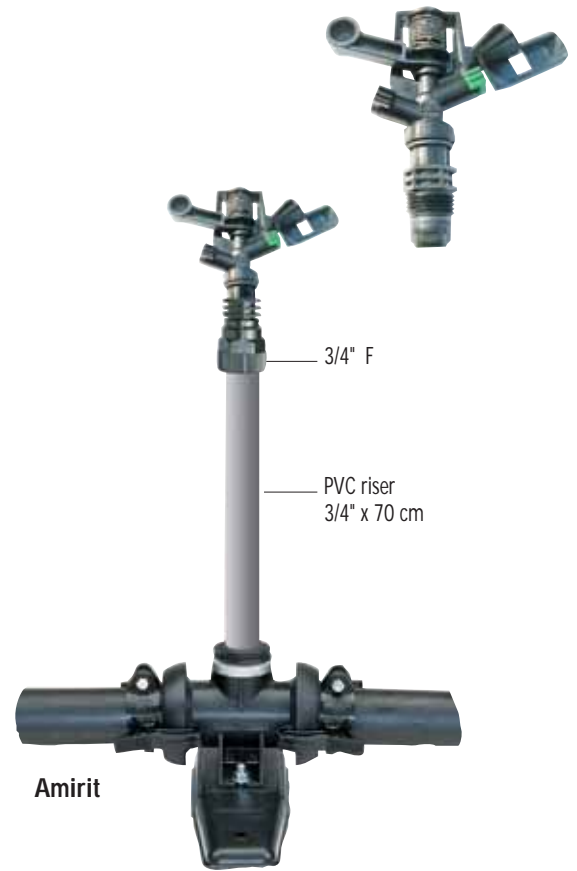
- Unique hammer-sprinkler SD (super-diffuser) design for extra-range coverage
- High distribution uniformity, up to 15 m
- Higher resistance to wind
- Designed for short irrigation cycles for germination
- Color-coded bayonet nozzles for easy service
- High impact, heavy-duty plastic materials for resistance to corrosion, chemicals and radiation

Performance table

Nozzle mm	P bar	Q m ³ /h	D m	Precipitation (mm/h) Spacing (m)					
				10x12	12x12	12x14	12x15	14x14	15x15
2.8	2.5	0.500	19.0	4.2	3.5	3.0			
	3.0	0.550	21.0	4.6	3.8	3.3	3.1	2.8	
	3.5	0.590	22.0	4.9	4.1	3.5	3.3	3.0	
	4.0	0.630	22.0	5.3	4.4	3.8	3.5	3.2	
3.0	2.5	0.570	20.0	4.8	4.6	3.4	3.2	2.9	
	3.0	0.630	21.0	5.3	4.4	3.8	3.5	3.2	2.8
	3.5	0.680	22.0	5.7	4.7	4.0	3.8	3.5	3.0
	4.0	0.720	23.0	6.0	5.0	4.3	4.0	3.7	3.2
3.2	2.5	0.640	22.0	5.3	4.4	3.8	3.6	3.3	2.8
	3.0	0.700	23.0	5.8	4.9	4.2	3.9	3.6	3.1
	3.5	0.760	23.0	6.3	5.3	4.5	4.2	3.9	3.4
	4.0	0.810	23.0	6.8	5.6	4.8	4.5	4.4	3.6
3.5	2.5	0.740	22.2	6.2	5.1	4.4	4.1	3.8	3.3
	3.0	0.810	24.0	6.8	5.6	4.8	4.5	4.1	3.6
	3.5	0.870	24.0	7.3	6.0	5.2	4.8	4.4	3.9
	4.0	0.930	24.5	7.8	6.5	5.5	5.2	4.7	4.1

Color code - Distribution uniformity

- CU < 85%
 CU = 85-88%
 CU = 88-92%
 CU > 92%



NAANDANJAIN
IRRIGATION



NaanDan Jain Irrigation (C.S.) Ltd.
 Head Office: Post Naan 76829, Israel Tel: 972-8-9442180
 Fax: 972-8-9442190 E-mail: mkt@naandanjain.com
 www.naandanjain.com

© 2009 NaanDan Jain Ltd. All rights reserved
 All specifications are subject to change without notice.